

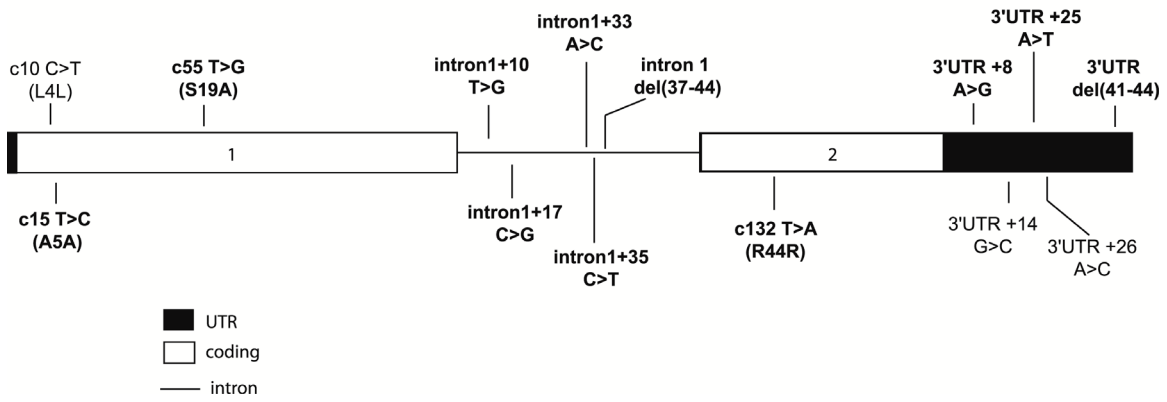
Sex Peptide polymorphisms

FIGURE S6.—*SP* polymorphisms. Location of each *SP* polymorphism identified in the chromosome 3 extraction lines (Table S1). Bold text indicates polymorphisms segregating in the ten chromosome 3 extraction lines used in this study.